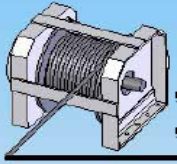


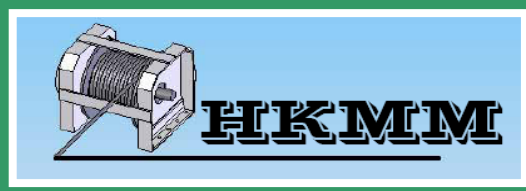
# MP TYPE MONORAIL PROVISION CRANE

江阴泓康机械制造有限公司



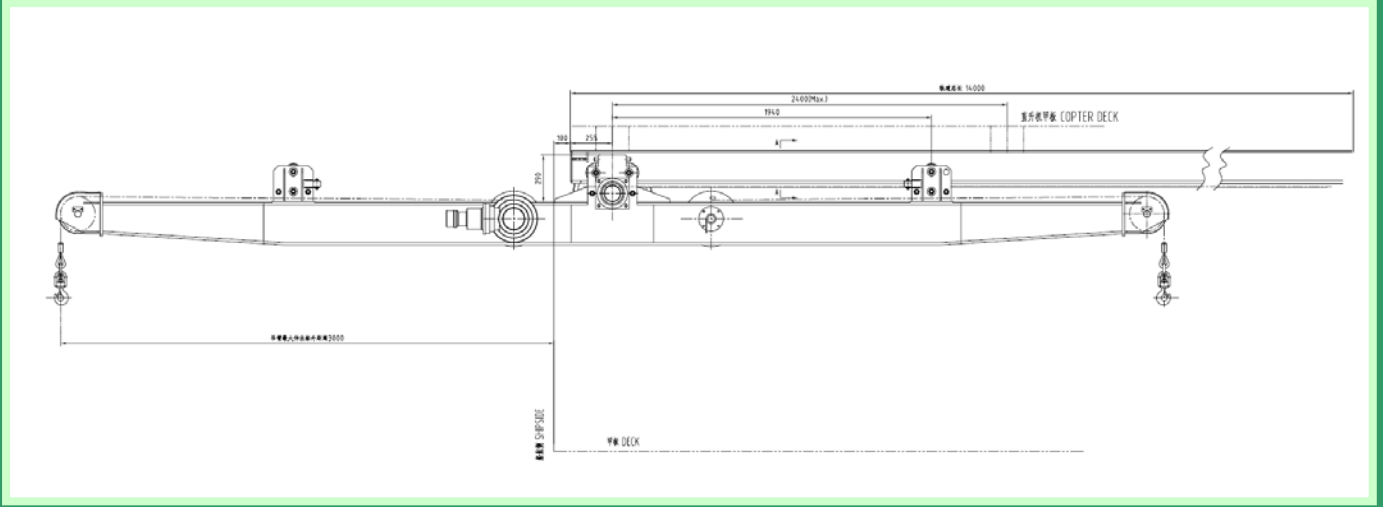
**HKMM**



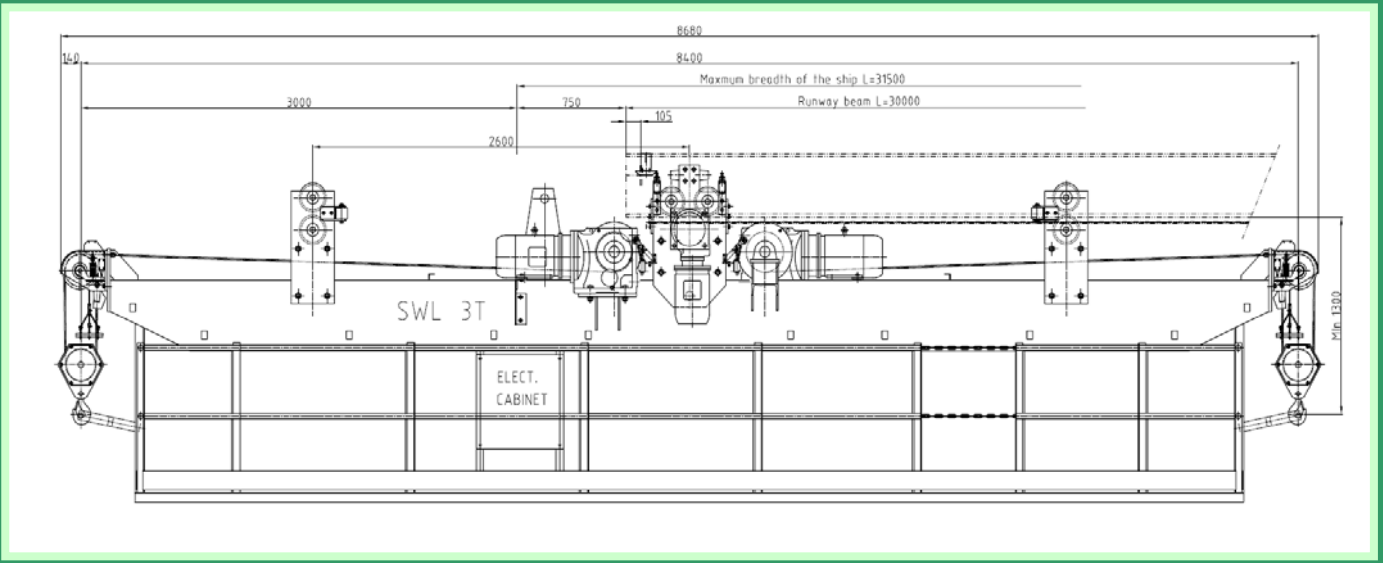


# MP Serial

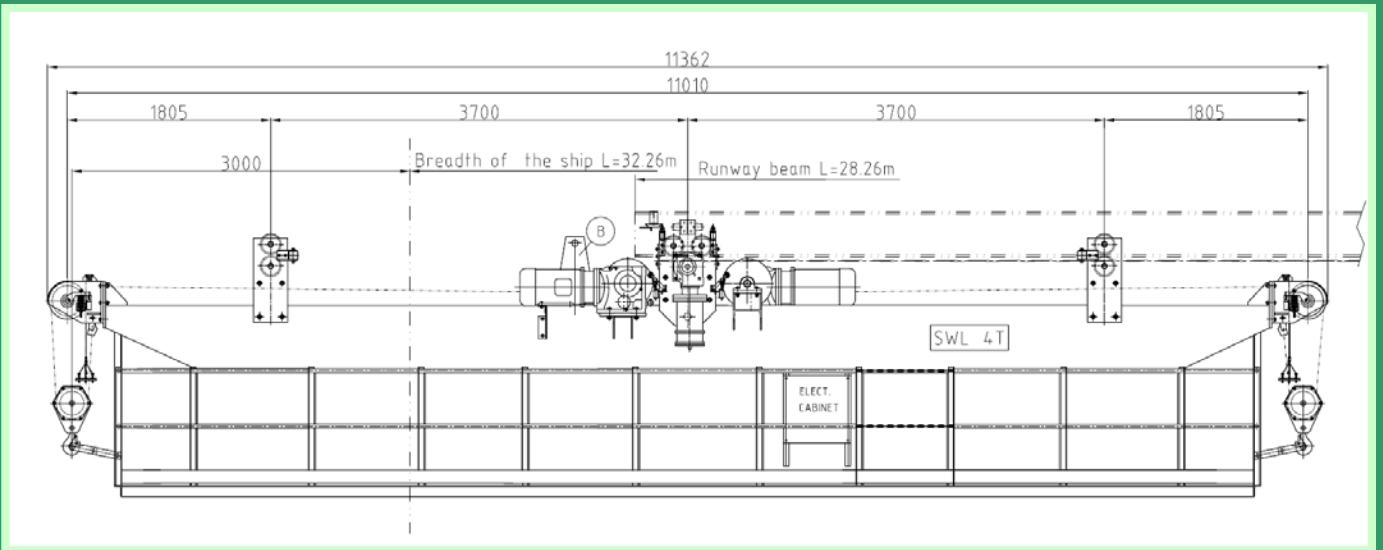
**MP02** Working load (at max.outreach) :1000~2000kg Out ship side length : ~3 m

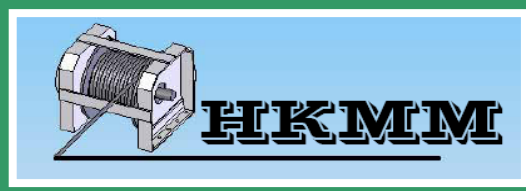


**MP03** Working load (at max.outreach) : 3000kg Out ship side length : ~4 m

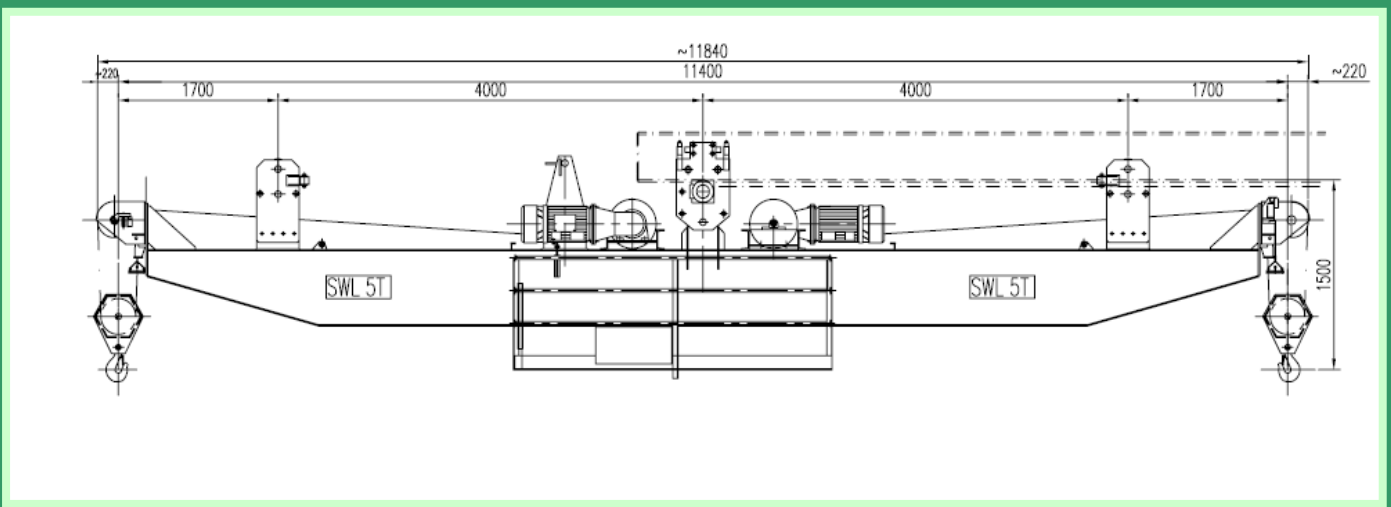


**MP04** Working load (at max.outreach) :4000kg Out ship side length : ~4 m

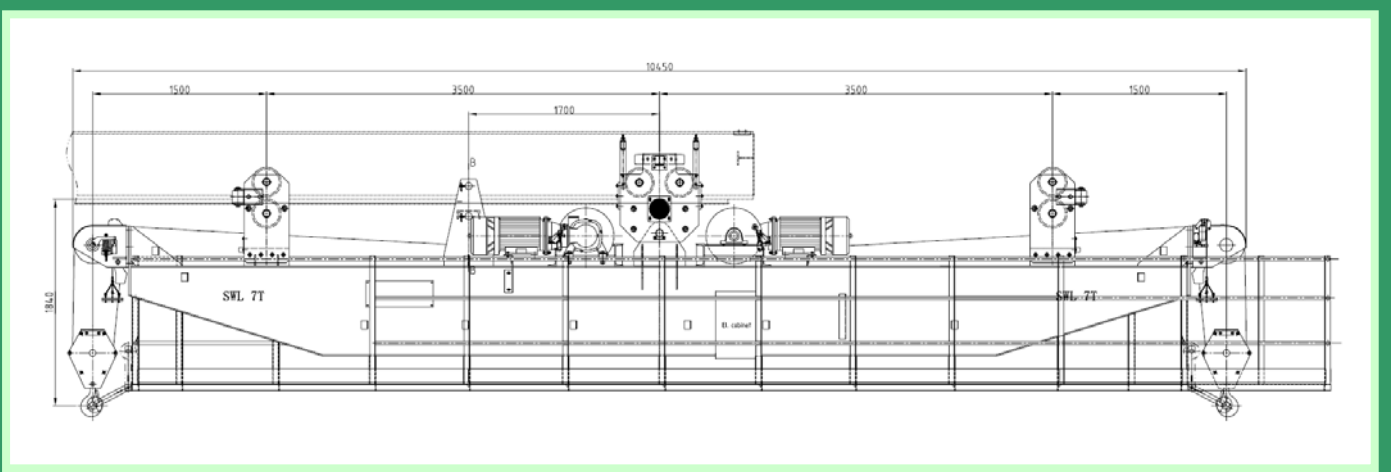




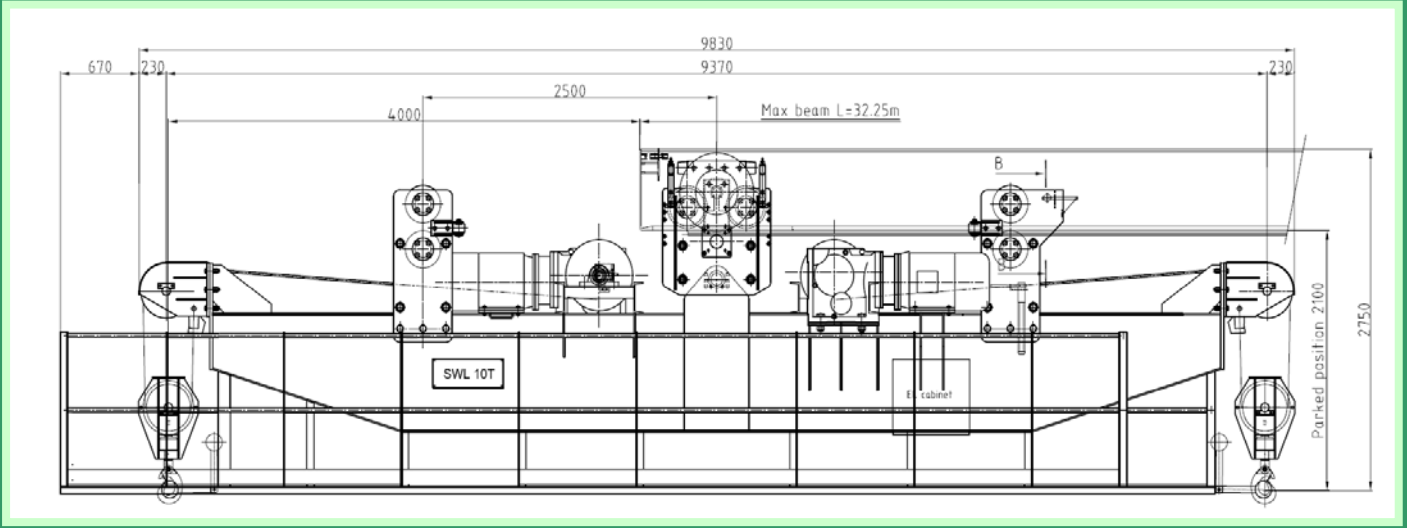
**MP05** Working load(at max.outreach) : 5000kg Out ship side length : ~4 m



**MP07** Working load(at max.outreach) : 7000kg Out ship side length : ~4 m

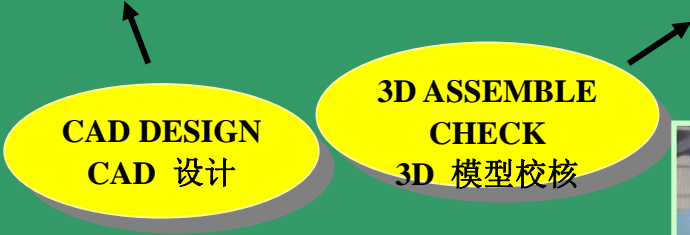
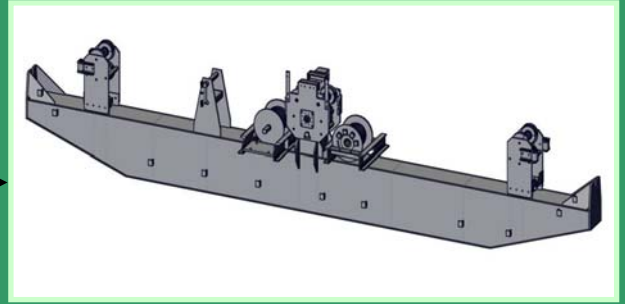
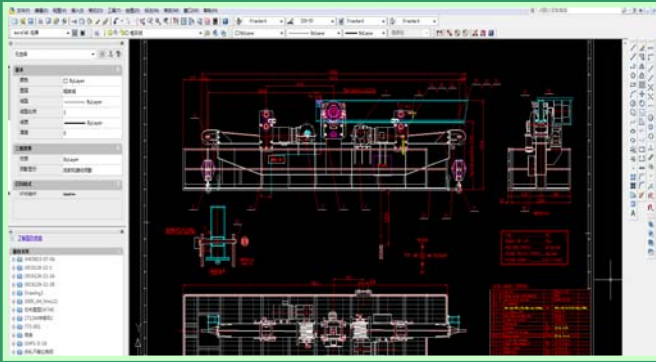


**MP10** Working load(at max.outreach) : 10000kg Out ship side length : ~4 m





**How can the cranes be produced by us?**





# HKMM泓康机械

Please contact us!

请联系我们!

Address 地址 : Huate West Road No.26, Jiangyin City, Jiangsu Province,China.

中国江苏省江阴市经济开发区石庄园区华特西路26号

Tel 电话 : +86-510-86660305 / 86660309

Fax 传真 : +86-510-86163579

Email邮箱: [jiangyin.xcmm@gmail.com](mailto:jiangyin.xcmm@gmail.com)

[tangqiwen@yeah.net](mailto:tangqiwen@yeah.net)



为中国的海洋事业，

尽一份泓康的力量！